

Glued Right-Angle Bracket for Rail Mounted Tilt Meter

FF-MP-RMG secures a Senceive NanoMacro High-G Triaxial Tilt Meter (FM3NT-50H) to the rail web using adhesive.

The bracket assembly consists of two parts: a right-angle bracket, which is bonded to the rail web, and an upper plate used to mount the node. The upper plate and node can be removed and reinstalled as required, for example during tamping operations. The kit also includes a temporary magnetic vice to hold the bracket in position while the adhesive cures at installation time.



Parameter	Description
Part Number	FF-MP-RMG
Dimensions	100 x 101 x 71 mm
Weight	600 g
Material	Aluminium
Compatible Products & Corresponding Part Numbers	FlatMesh NanoMacro High-G (FM3NT-50H)
Fixing Method	Glue (24hr cure)
Required Tools	Wrench with 7mm hex socket, Torque Screwdriver with 3mm Hex bit
Suggested Torque	2Nm for Socket cap head screw
Possible applications	Rail track monitoring
Rail types	100RE, 115RE, 132RE, 136RE, 141RE

Glued Right-Angle Bracket for Rail Mounted Tilt Meter

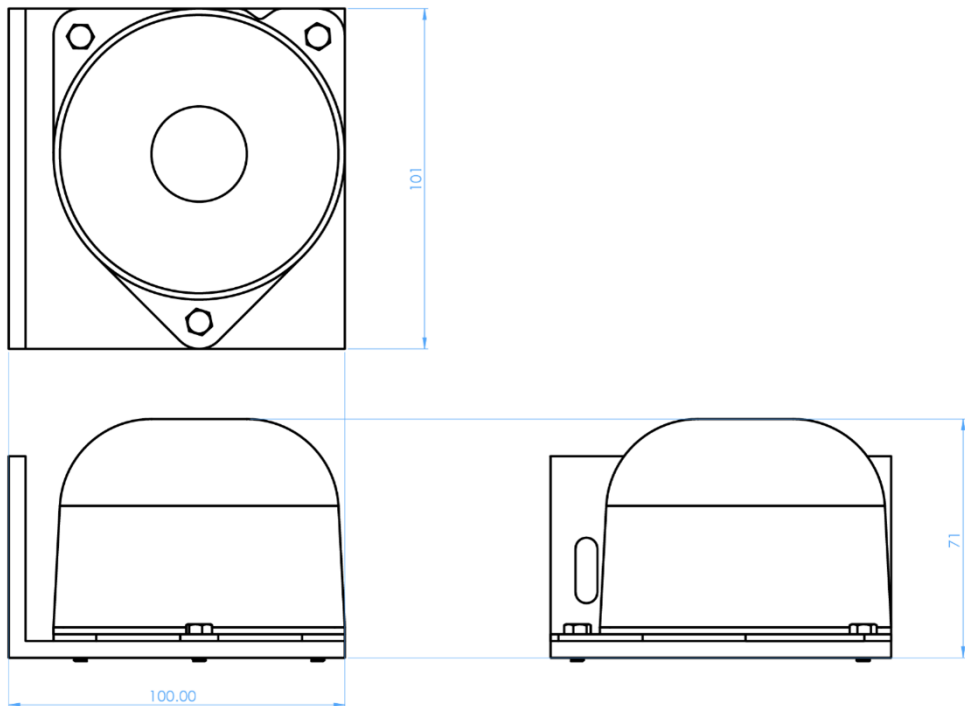


Figure 1 Outer dimensions of FF-MP-RMG and FM3NT-50H assembly

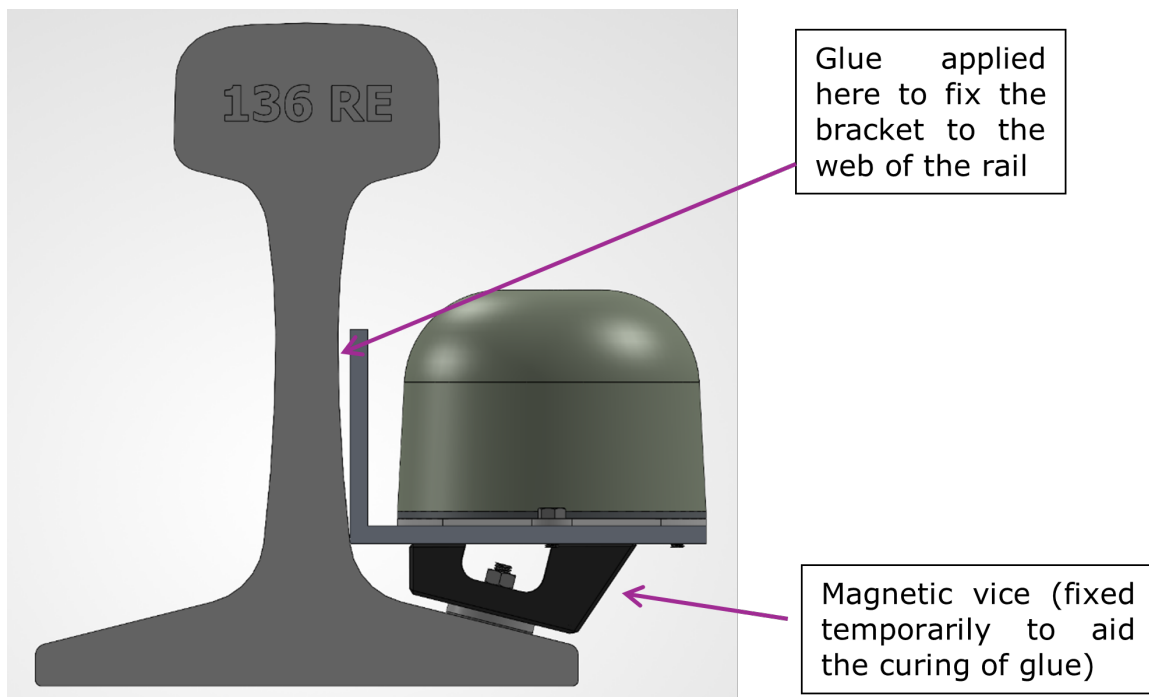


Figure 2 Mounting position of the FF-MP-RMG showing temporary magnetic vice

Glued Right-Angle Bracket for Rail Mounted Tilt Meter

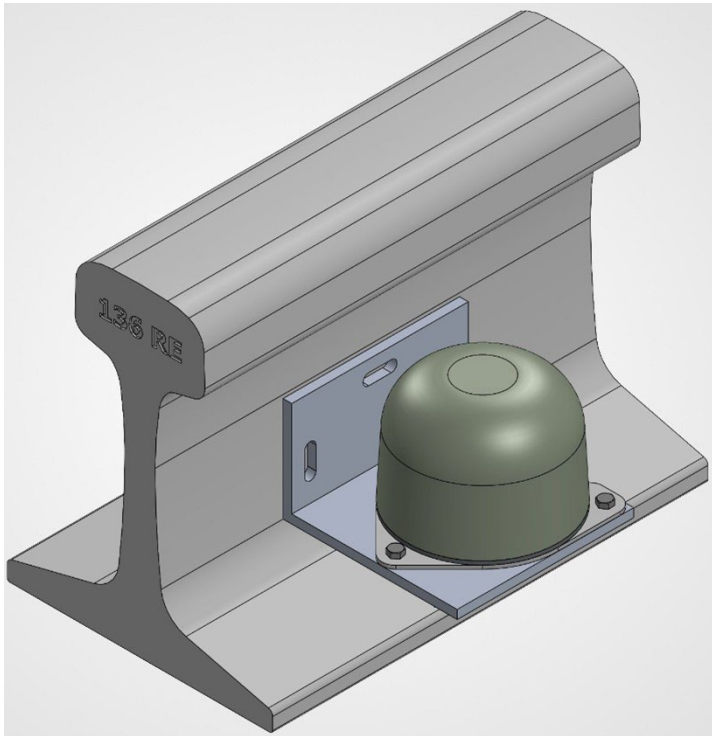


Figure 3 Additional view of mounting position